

# sbgn tikz – a TikZ library to draw SBGN maps

Supplementary material

Adrien Rougny<sup>1,2</sup>

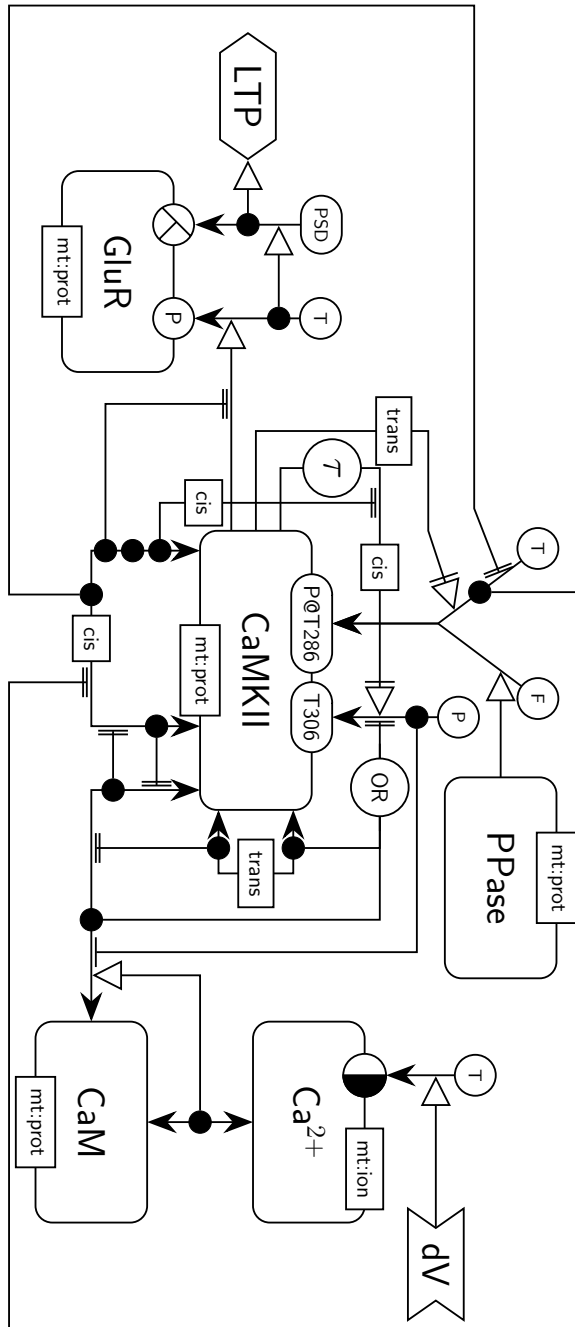
<sup>1</sup>Biotechnology Research Institute for Drug Discovery, National Institute of Advanced Industrial Science and Technology (AIST), Aomi, Tokyo 135-0064, Japan

<sup>2</sup>Com. Bio Big Data Open Innovation Lab. (CBBD-OIL), AIST, Aomi, Tokyo 135-0064, Japan

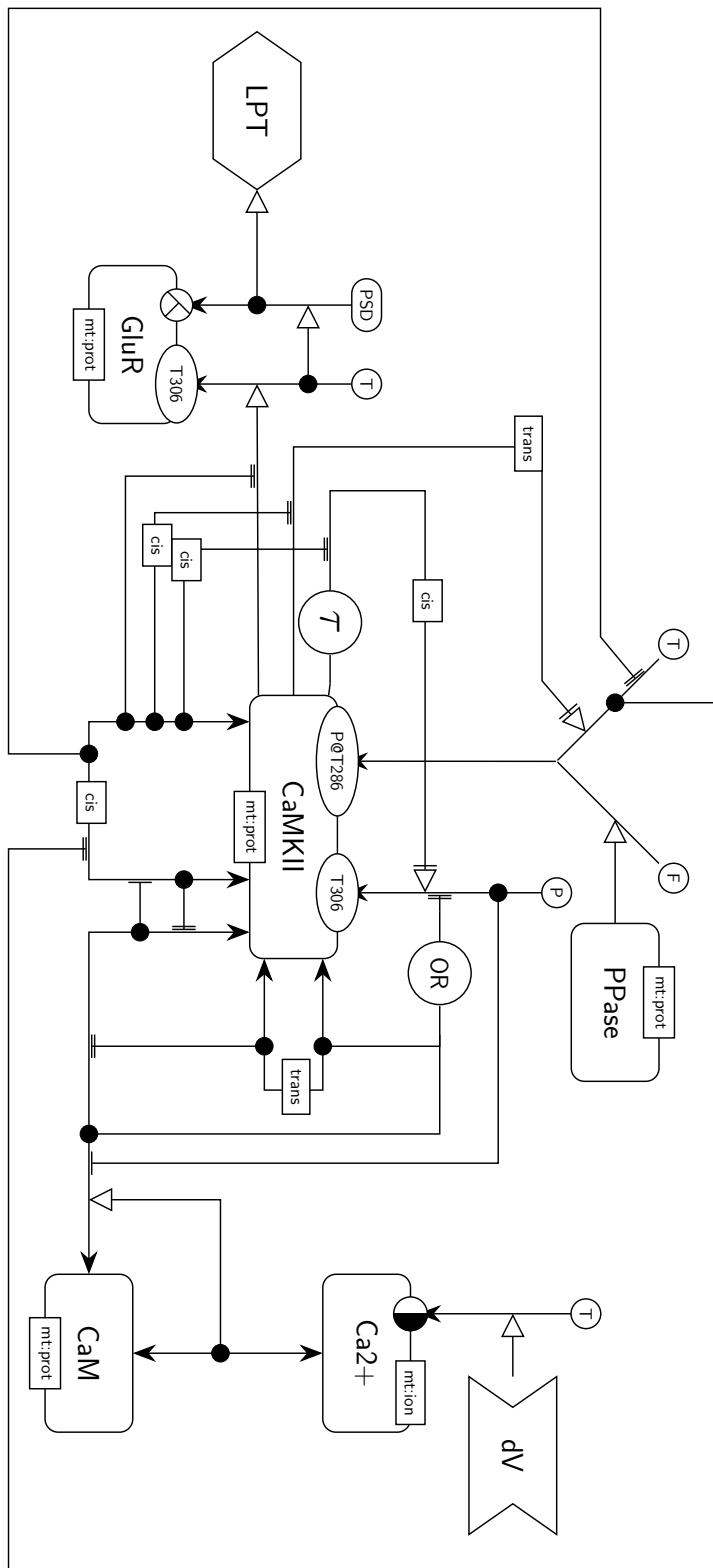
The present document gives a number of SBGN maps drawn and rendered with *sbgn tikz*. All maps are taken from <https://github.com/sbgn/libsbgn/tree/master/example-files>. The first four maps were redrawn using *sbgn tikz* (files are available at <https://github.com/Adrienrougny/sbgn tikz/tree/master/examples>). These maps and the following ones were also automatically converted and rendered from their SBGN-ML version using the SBGN-ML to *sbgn tikz* converter (files are available at <https://github.com/Adrienrougny/sbgn tikz/tree/master/converter/examples>). For all maps, we also provide their SBGN-ED version, for comparison (SBGN-ED is one of the most used software for visualising and editing maps, and almost the only software supporting all three SBGN languages).

# 1 Effect of depolarization on calcium and calmodulin (ER map)

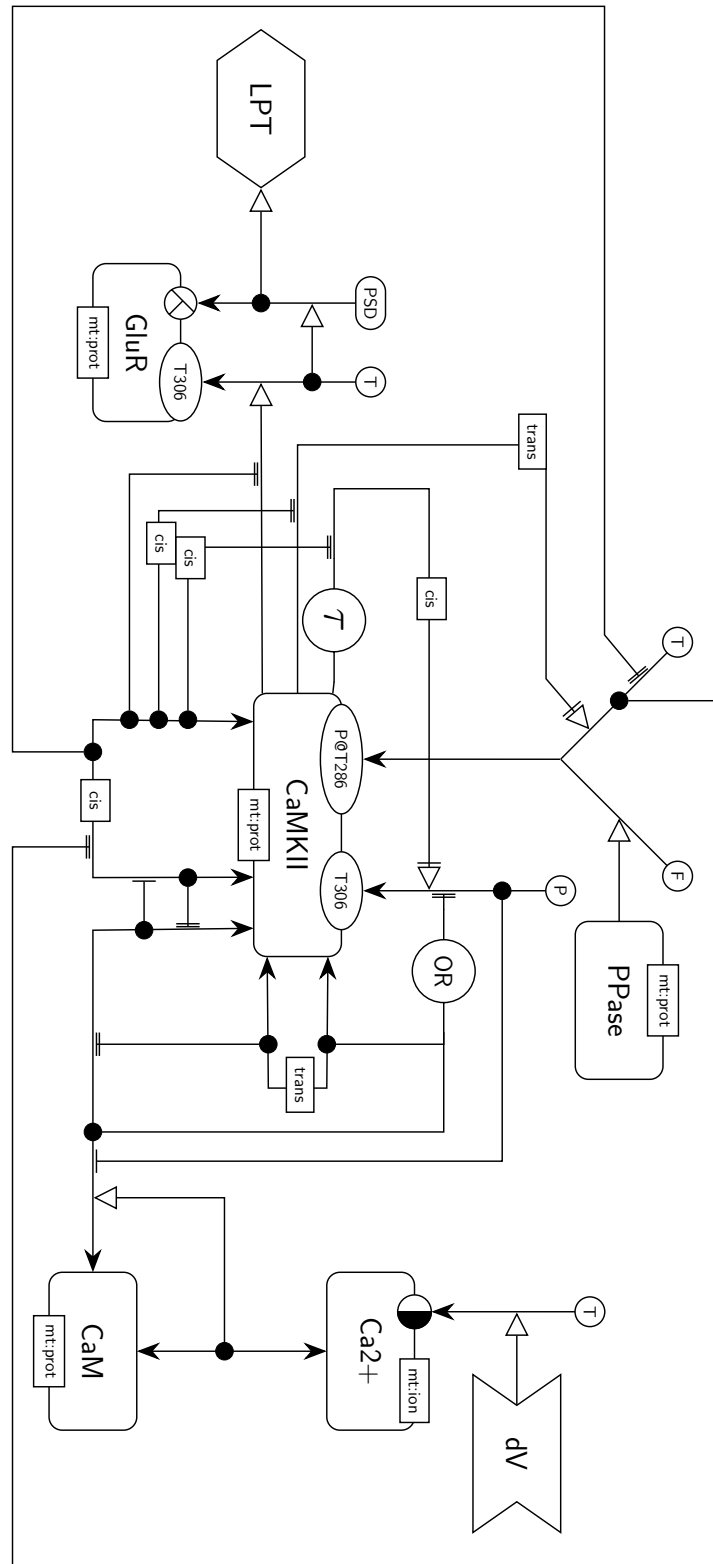
## 1.1 Re-written and rendered directly with sbgntikz



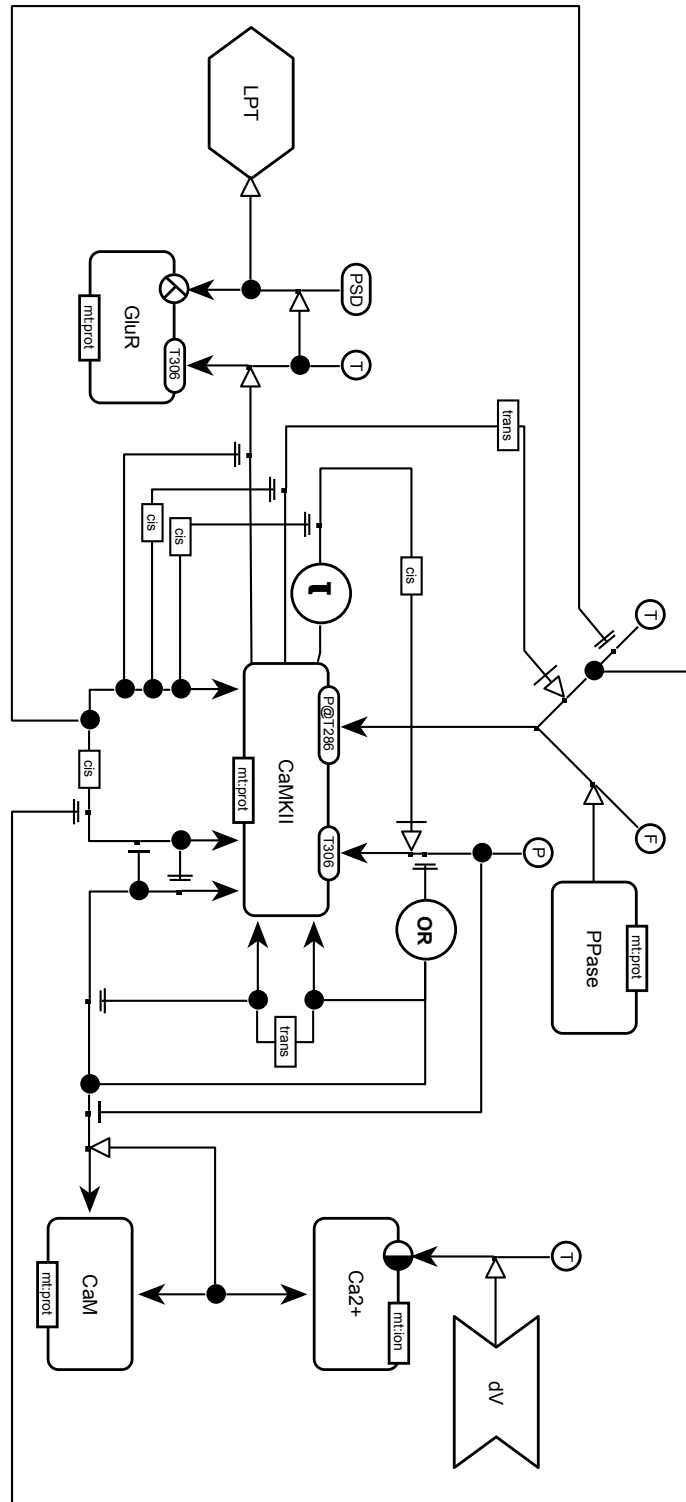
## 1.2 Rendered with the SBGN-ML to sbgntikz converter



### 1.3 Rendered with the SBGN-ML to sbgnitzkz converter with the tidy option

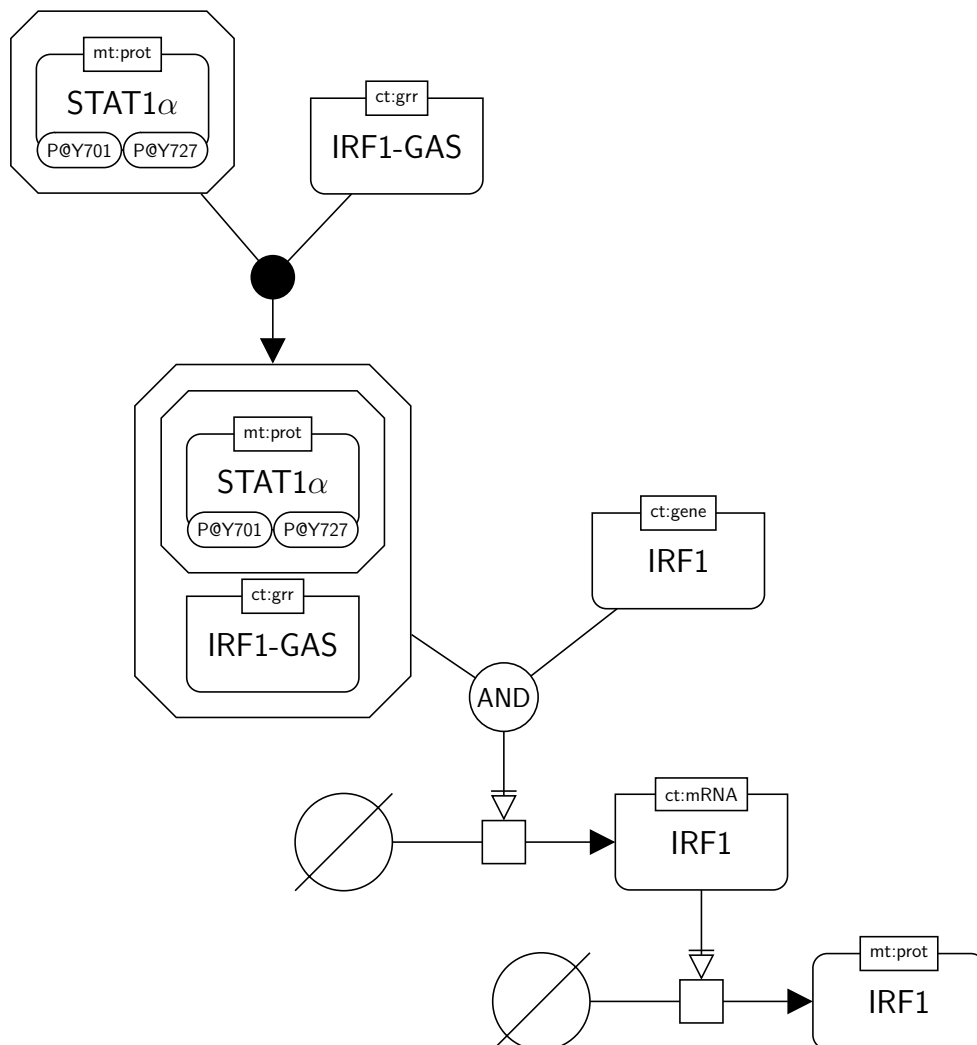


# 1.4 Rendered with SBGN-ED

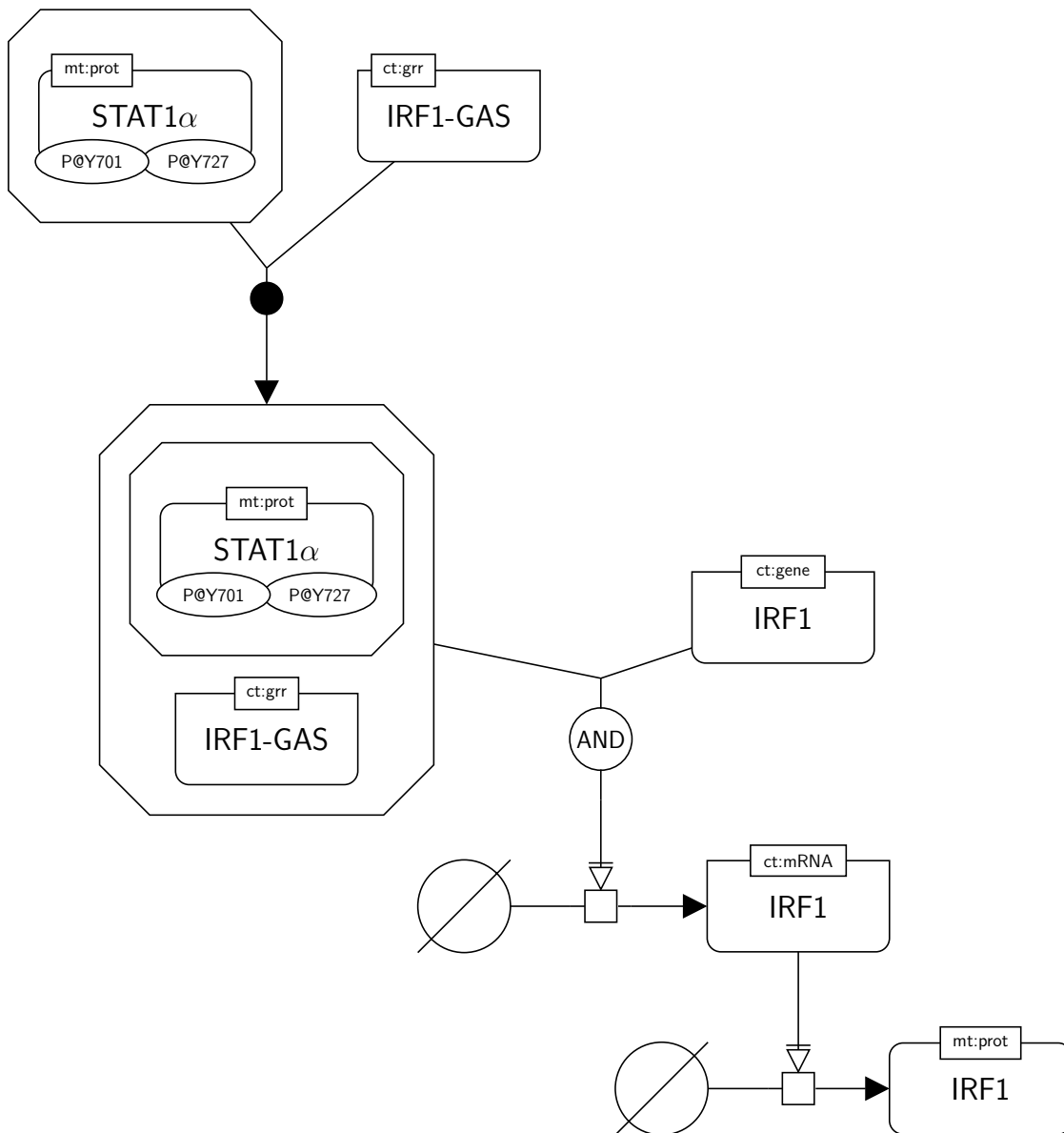


## 2 Regulation of IRF1 gene expression (PD map)

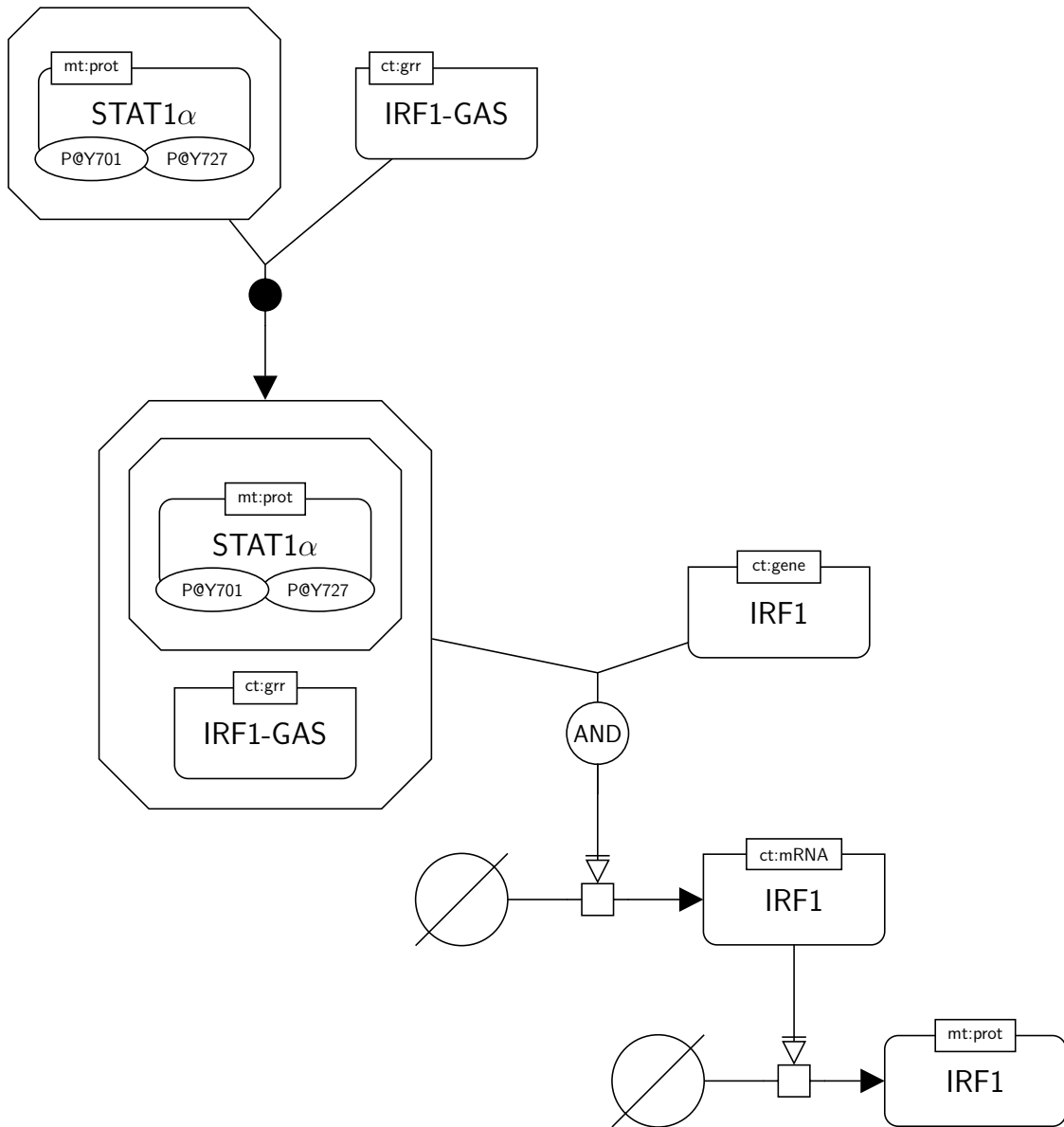
### 2.1 Re-written and rendered directly with sbgntikz



## 2.2 Rendered with the SBGN-ML to sbgntikz converter

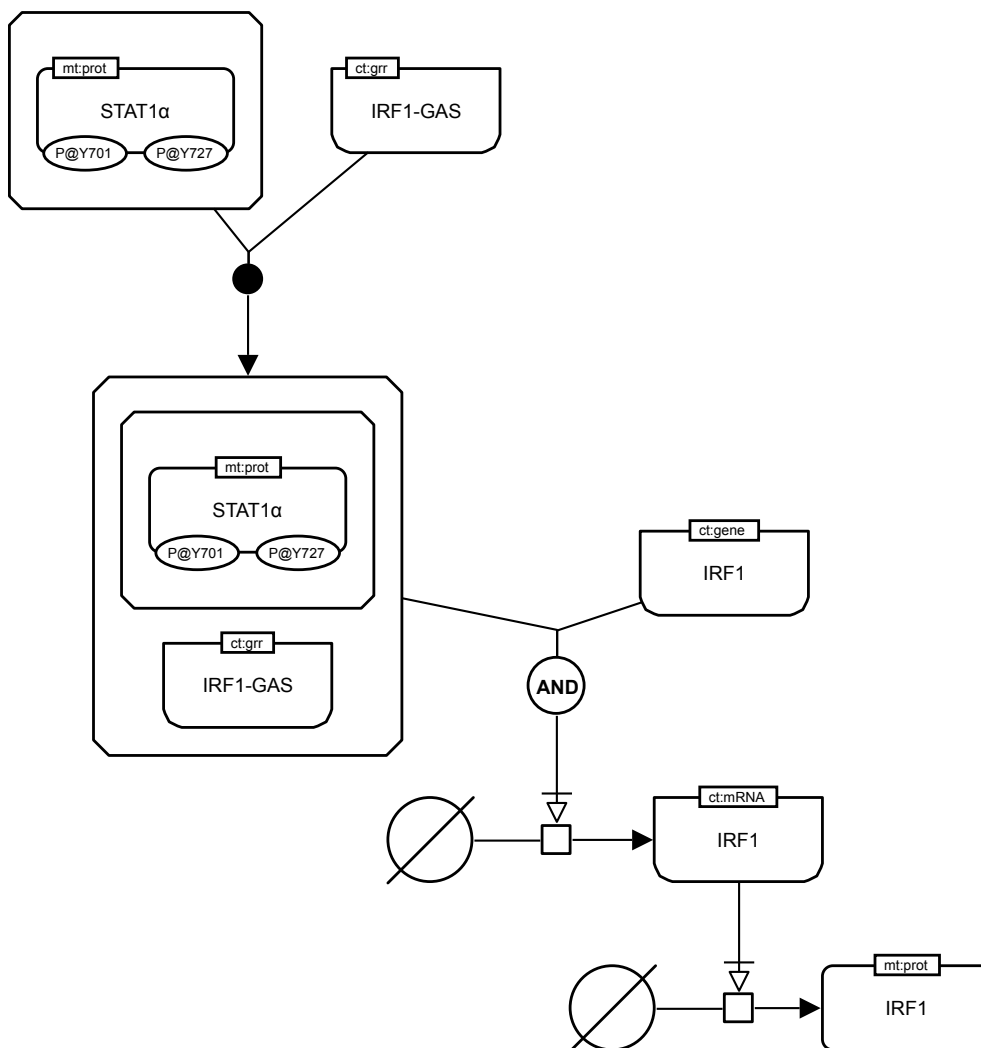


### 2.3 Rendered with the SBGN-ML to sbgntikz converter with the tidy option



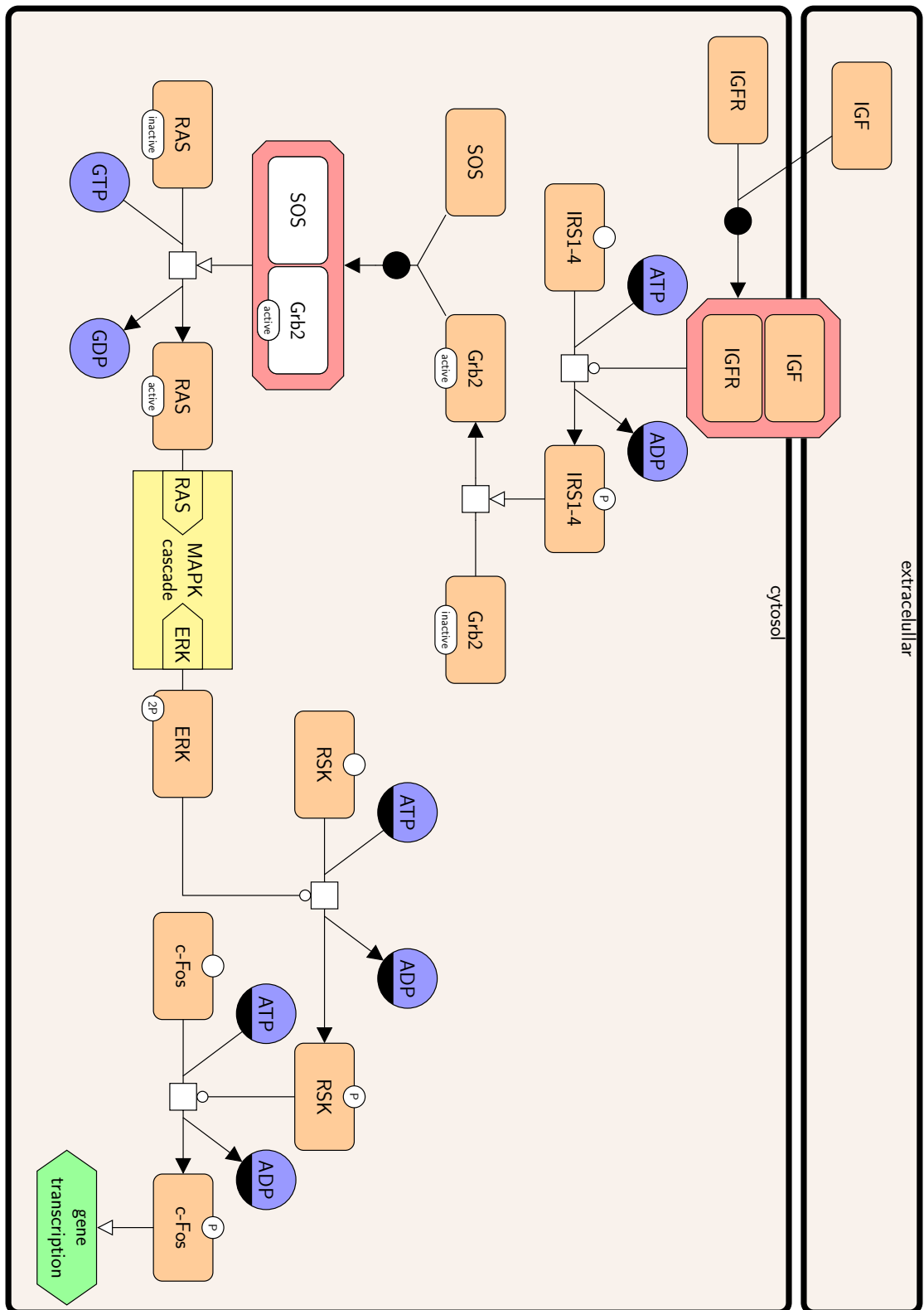


## 2.4 Rendered with SBGN-ED

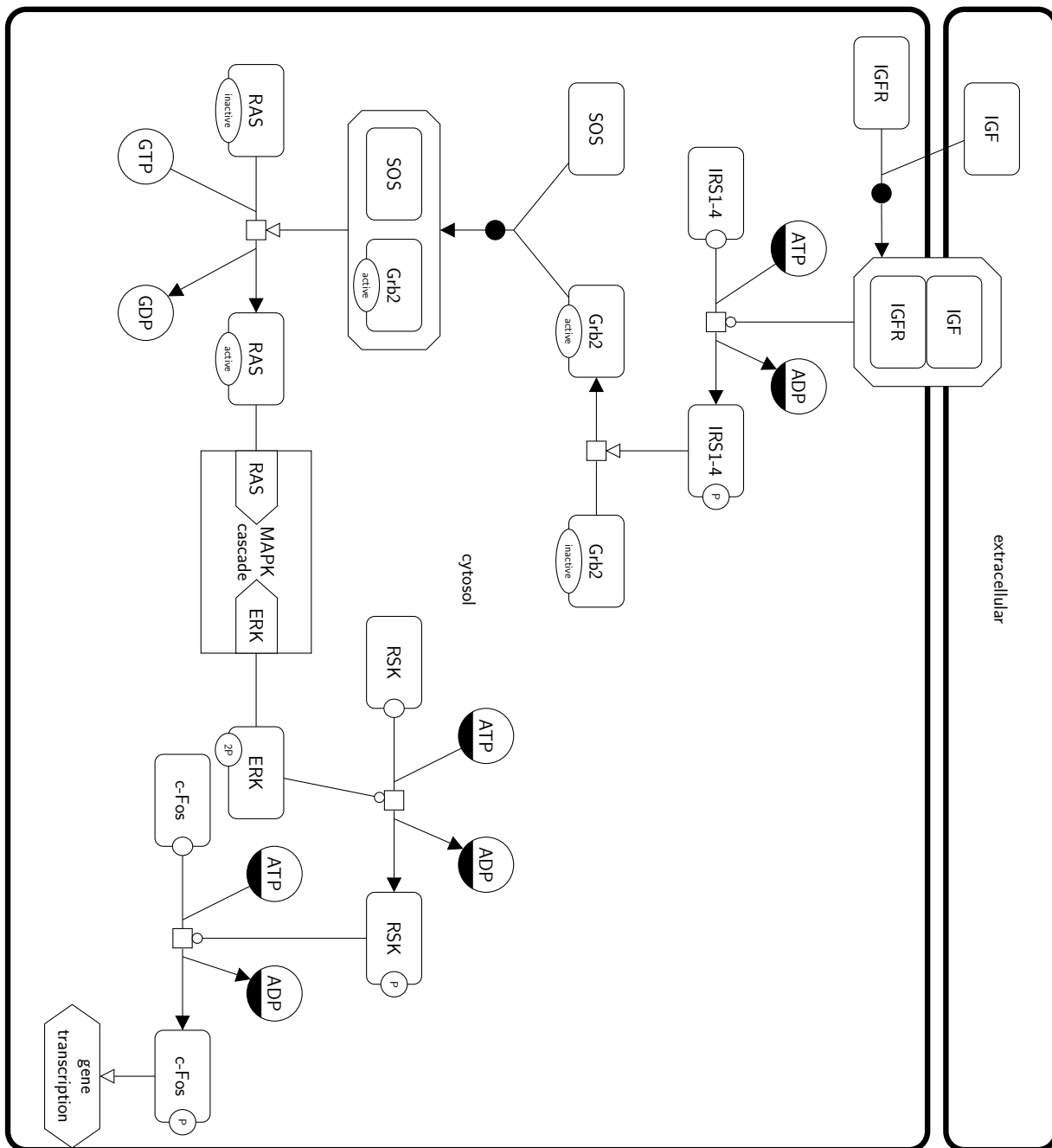


### 3 Insulin receptor-induced signaling (PD map)

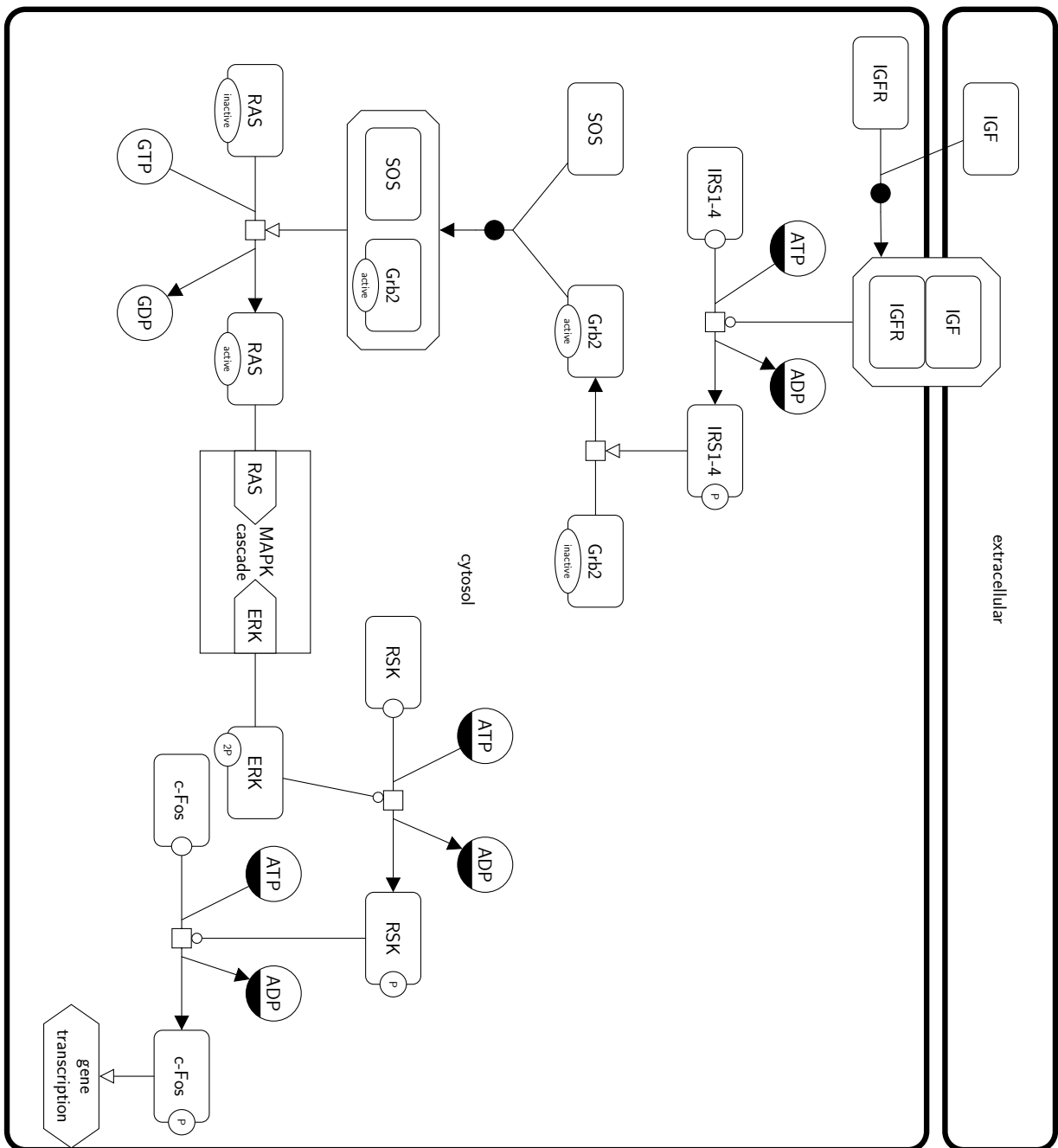
#### 3.1 Re-written and rendered directly with sbgntikz



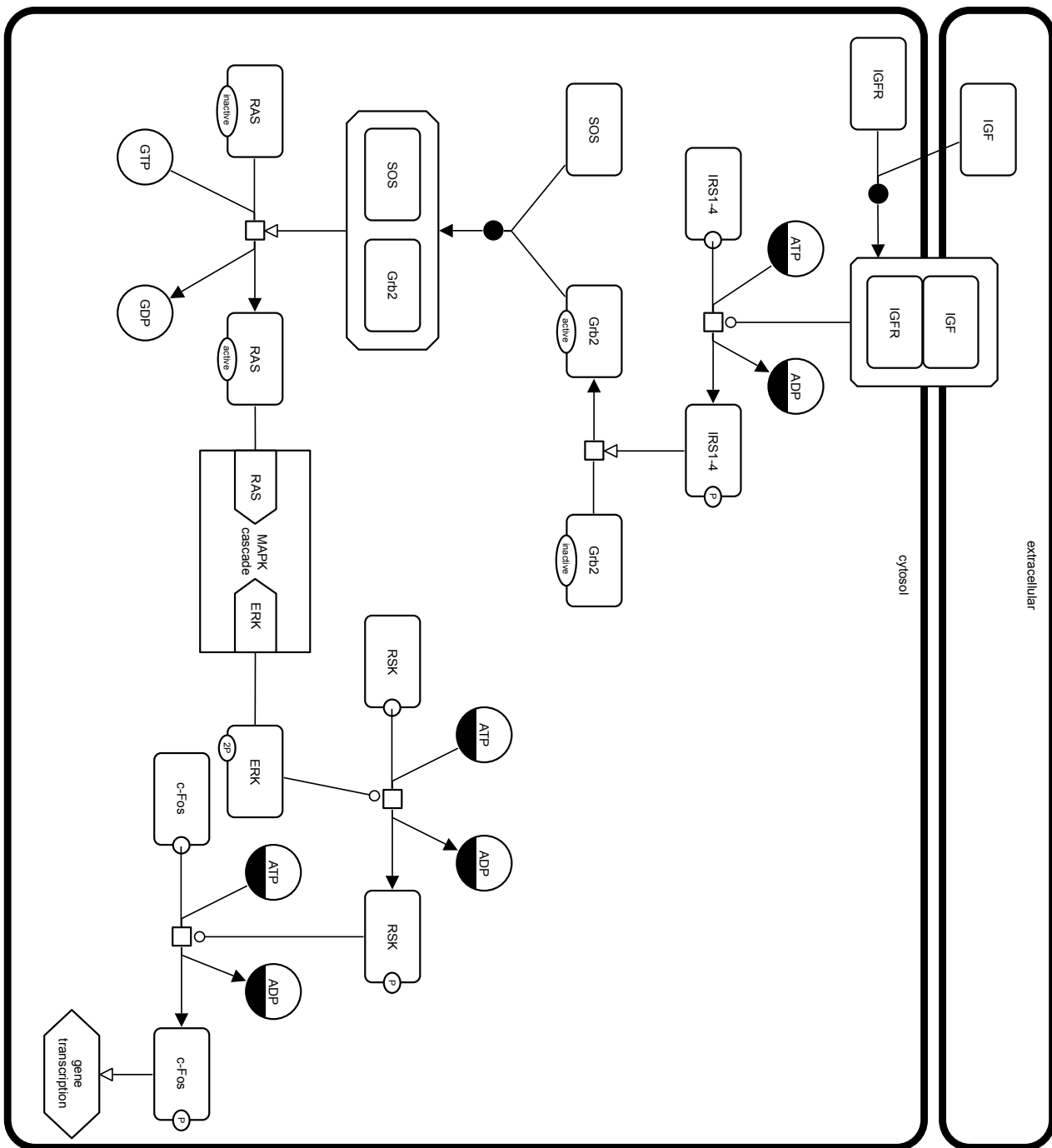
### 3.2 Rendered with the SBGN-ML to sbgntikz converter



### 3.3 Rendered with the SBGN-ML to sbgntikz converter with the tidy option

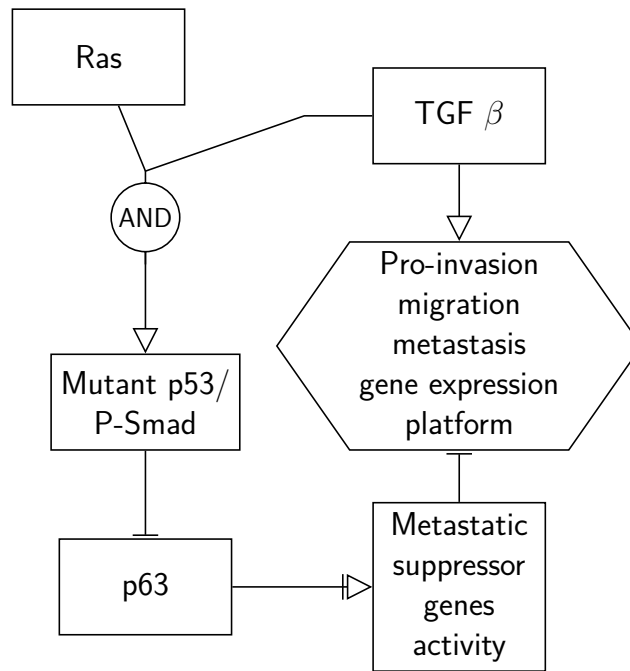


### 3.4 Rendered with SBGN-ED

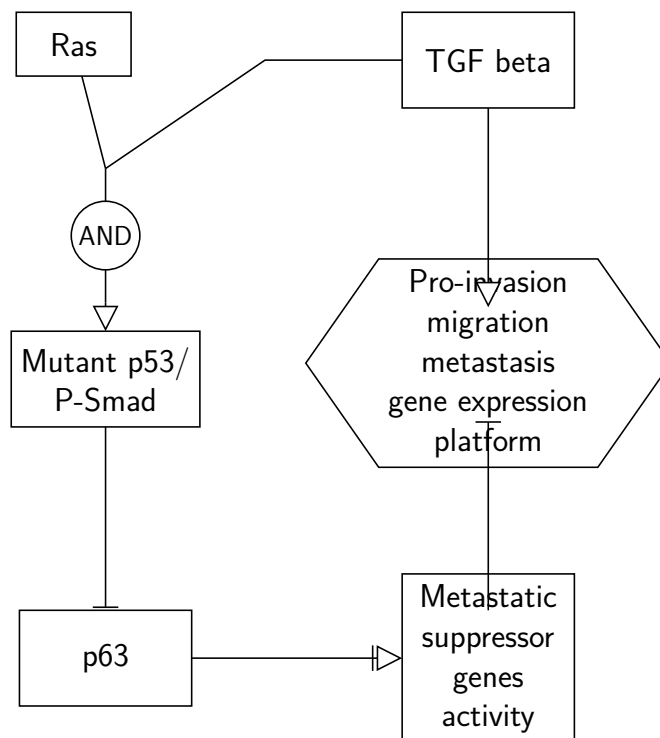


## 4 TGF $\beta$ -induced metastasis (AF map)

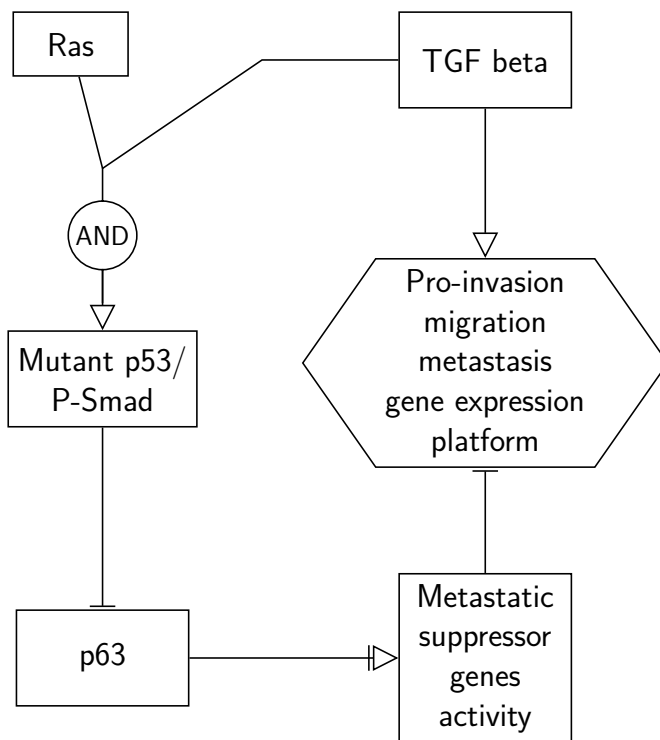
### 4.1 Re-written and rendered directly with sbgtikz



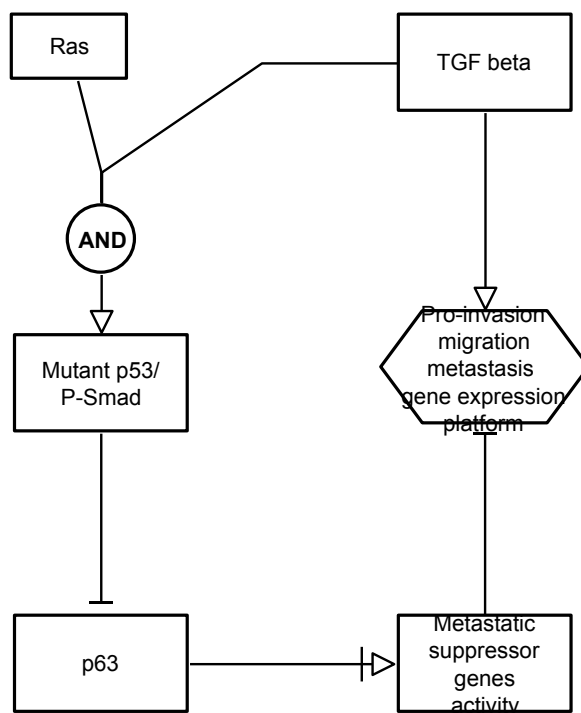
### 4.2 Rendered with the SBGN-ML to sbgtikz converter



#### 4.3 Rendered with the SBGN-ML to sbgntikz converter with the tidy option

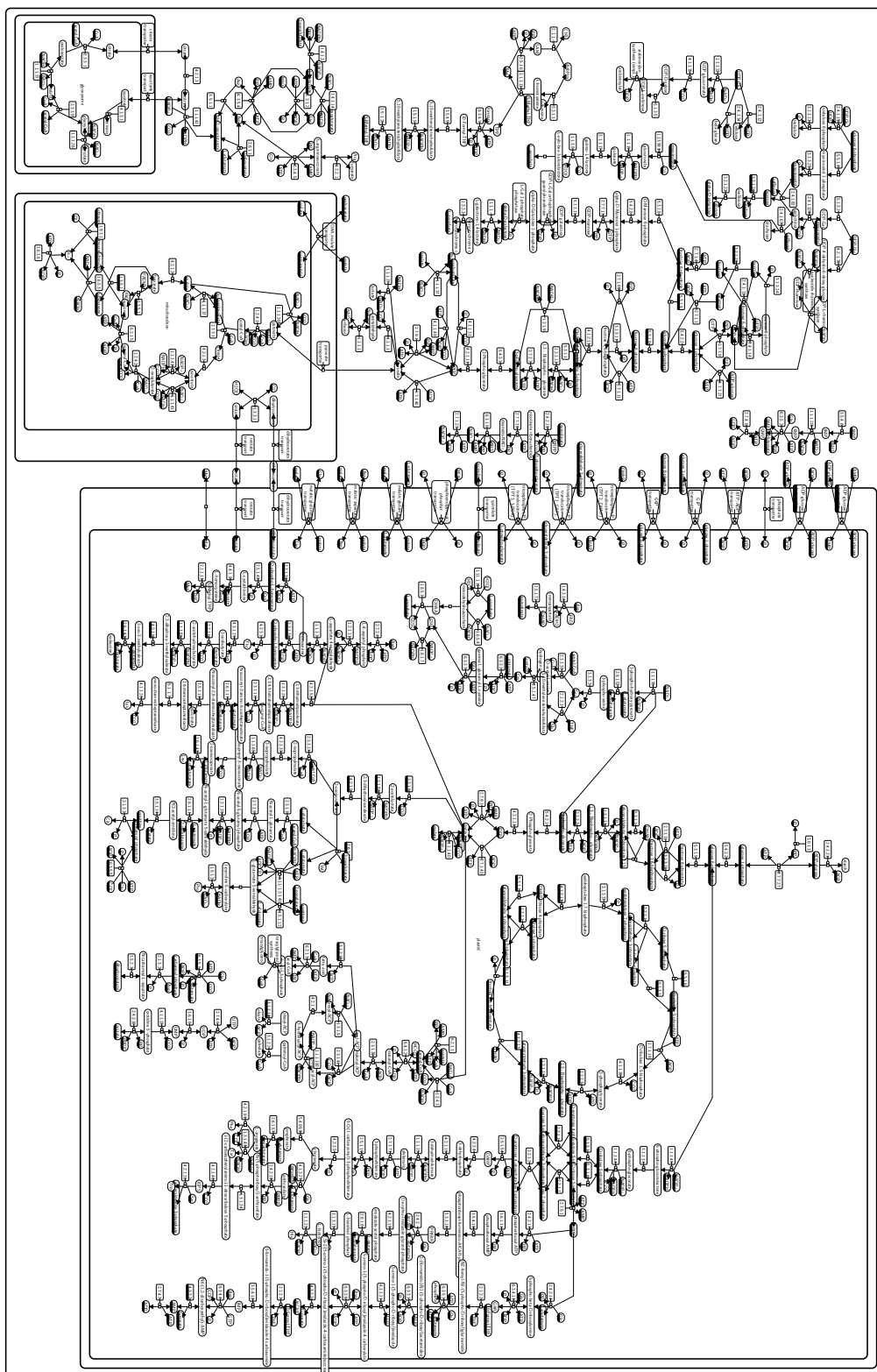


#### 4.4 Rendered with SBGN-ED



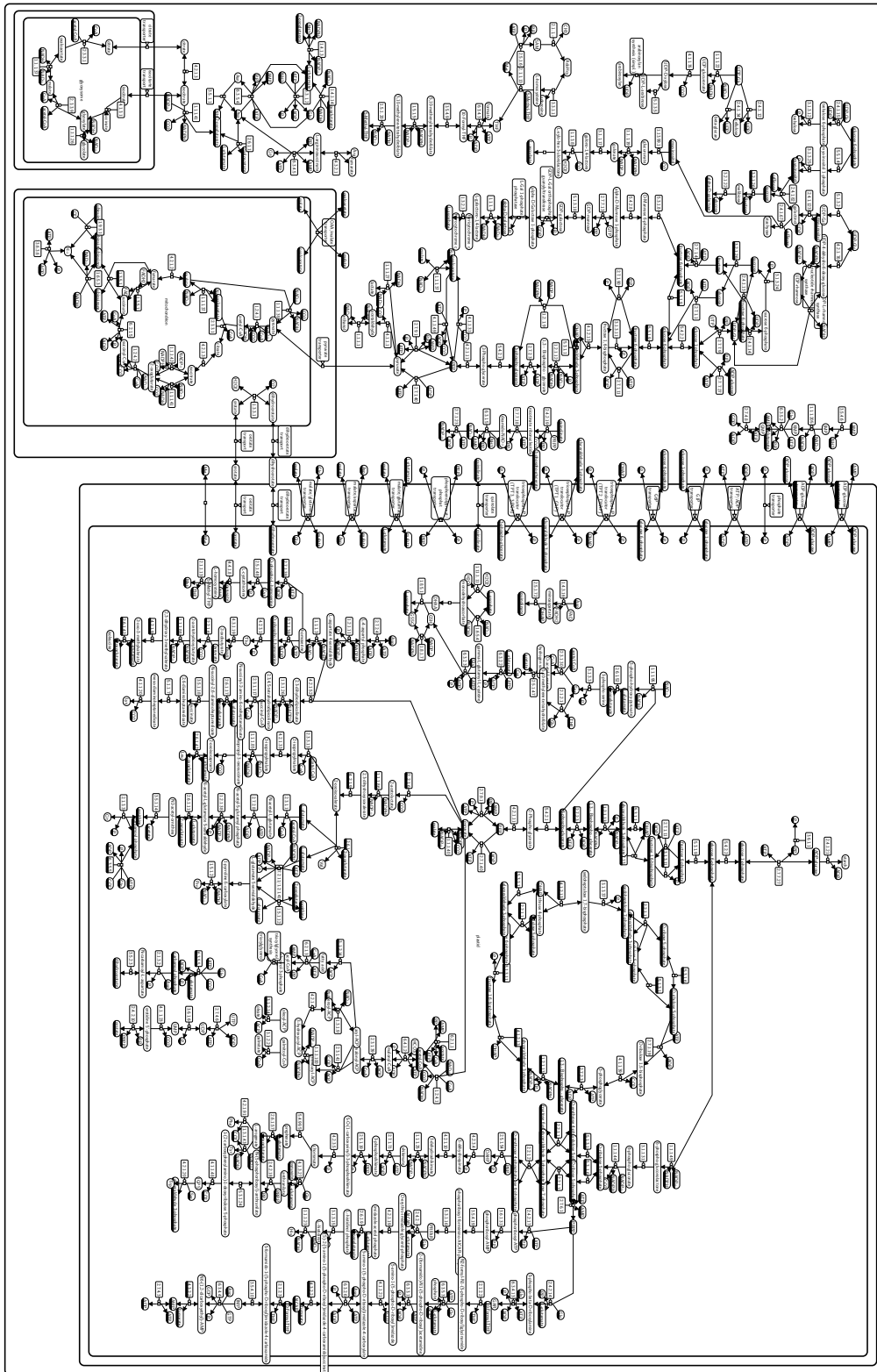
## 5 Central plant metabolism (PD map)

### 5.1 Rendered with the SBGN-ML to sbgnviz converter

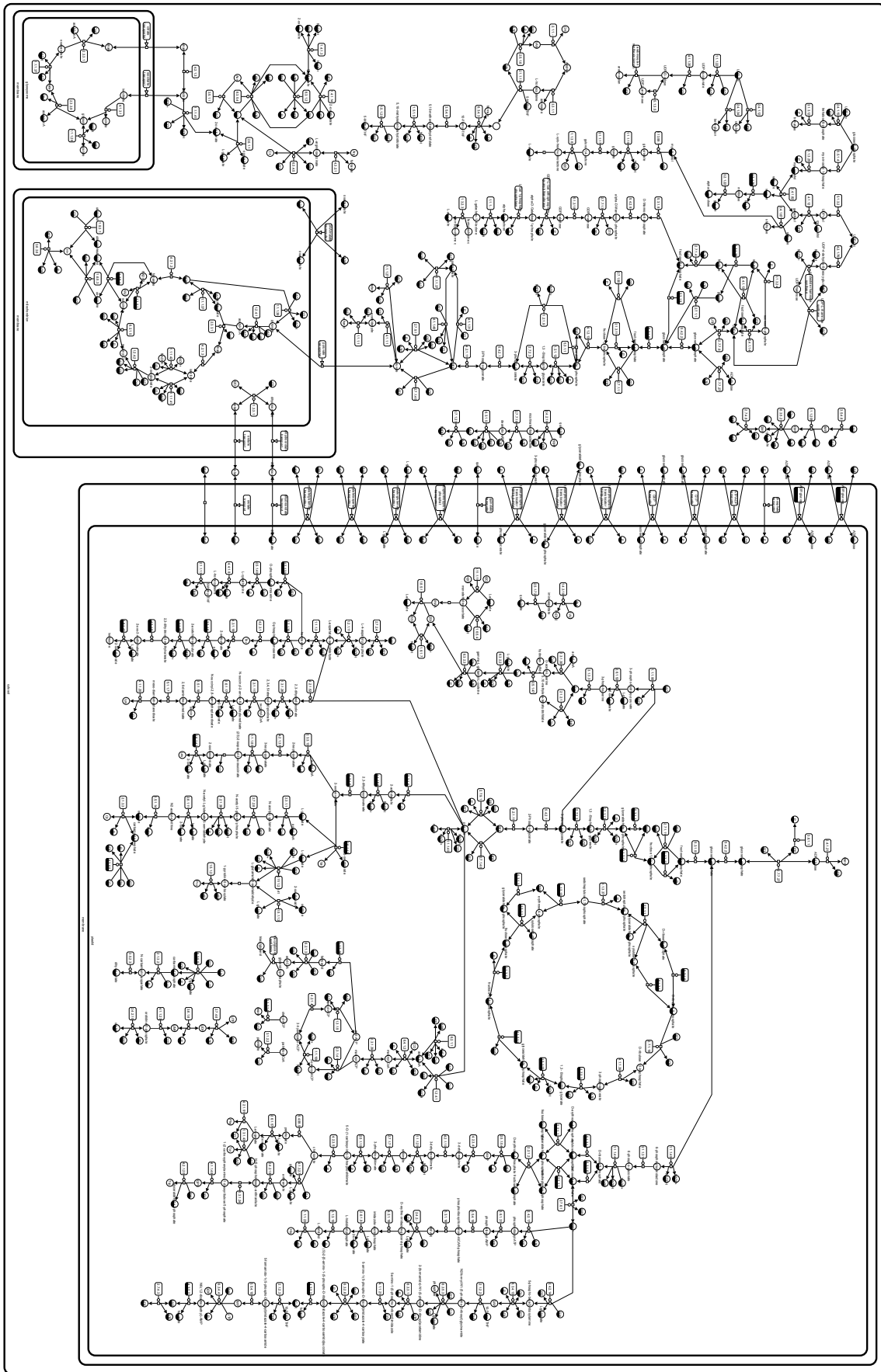




## 5.2 Rendered with the SBGN-ML to sbgntikz converter with the tidy option

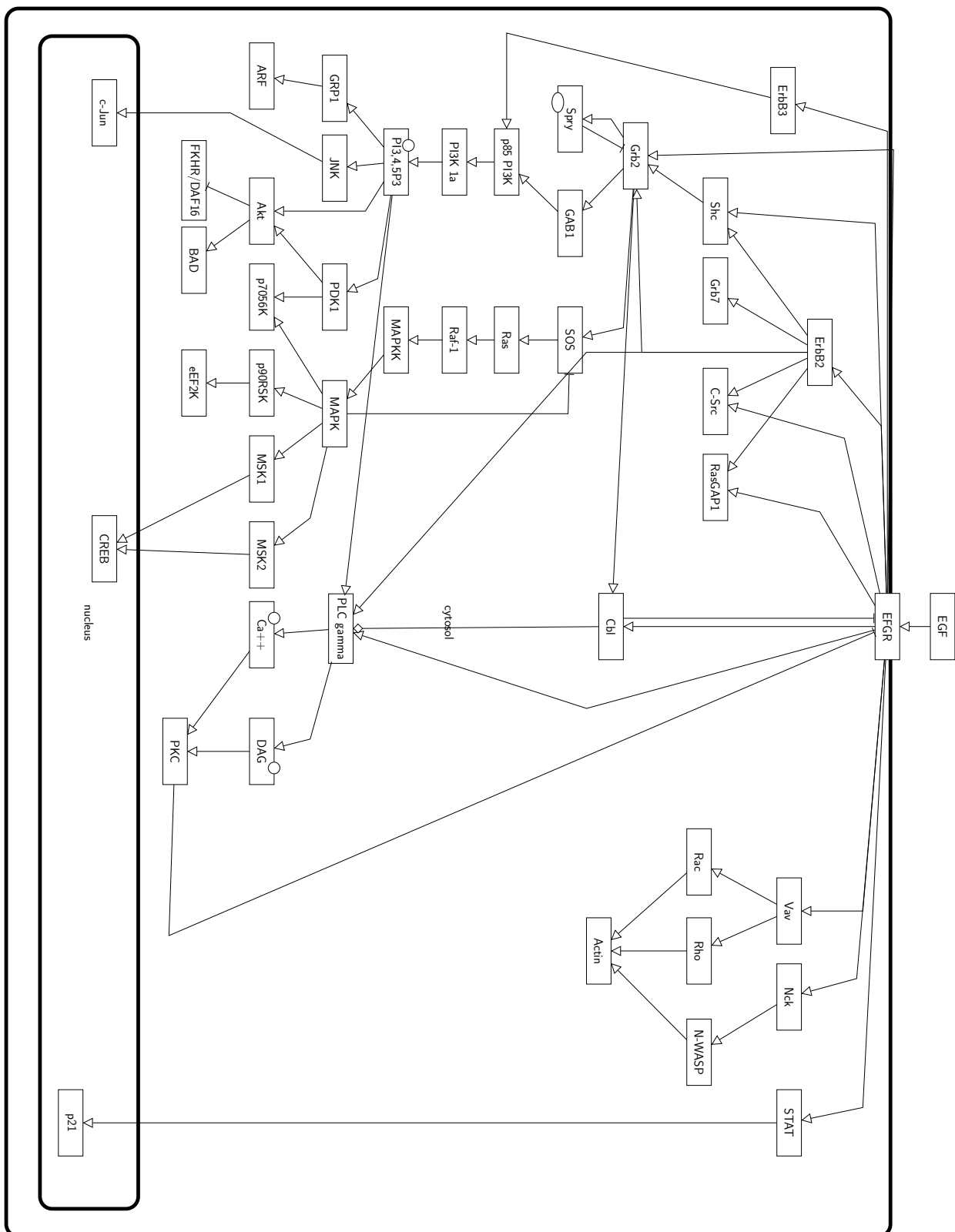


### 5.3 Rendered with SBGN-ED

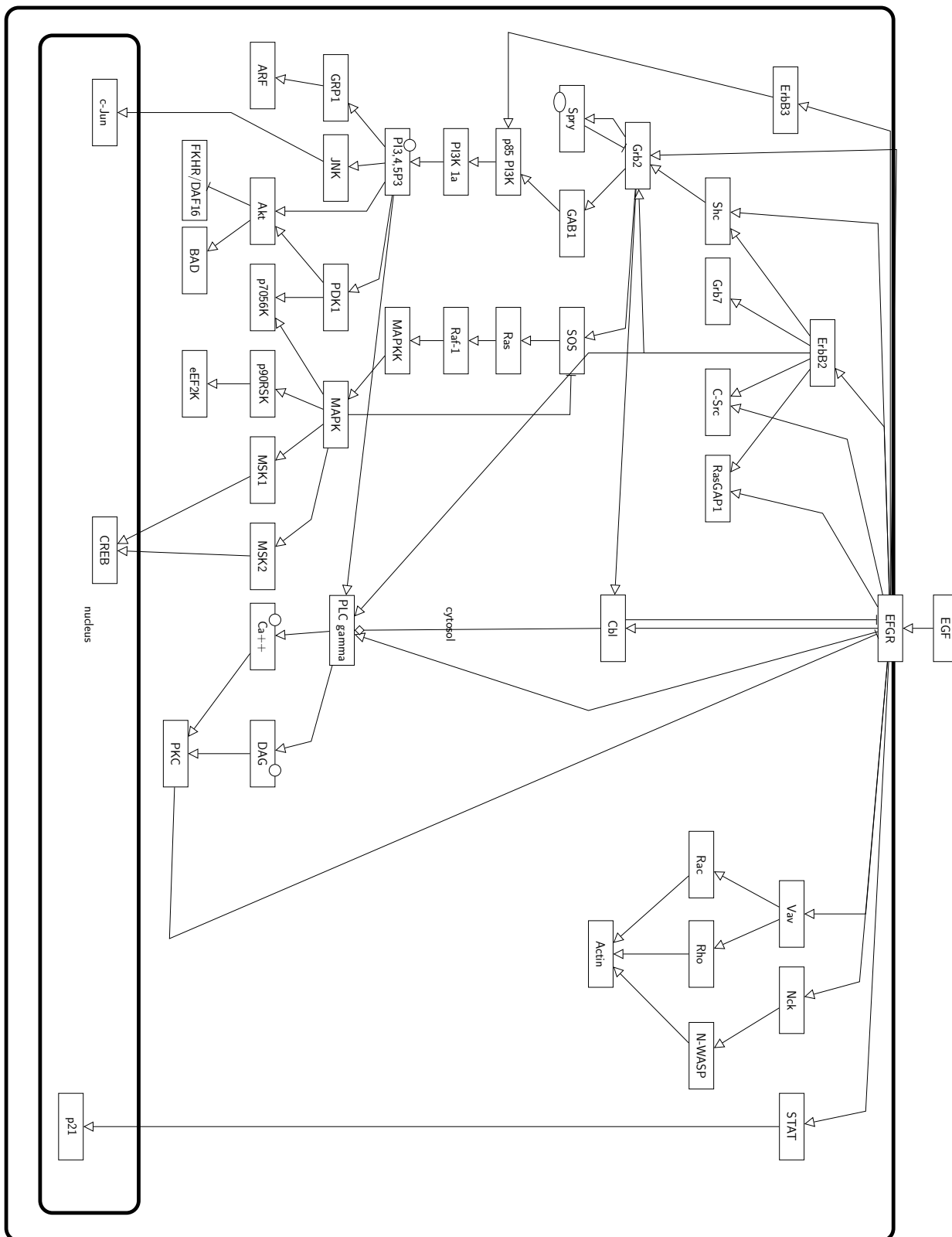


## 6 EGFR-induced signaling (AF map)

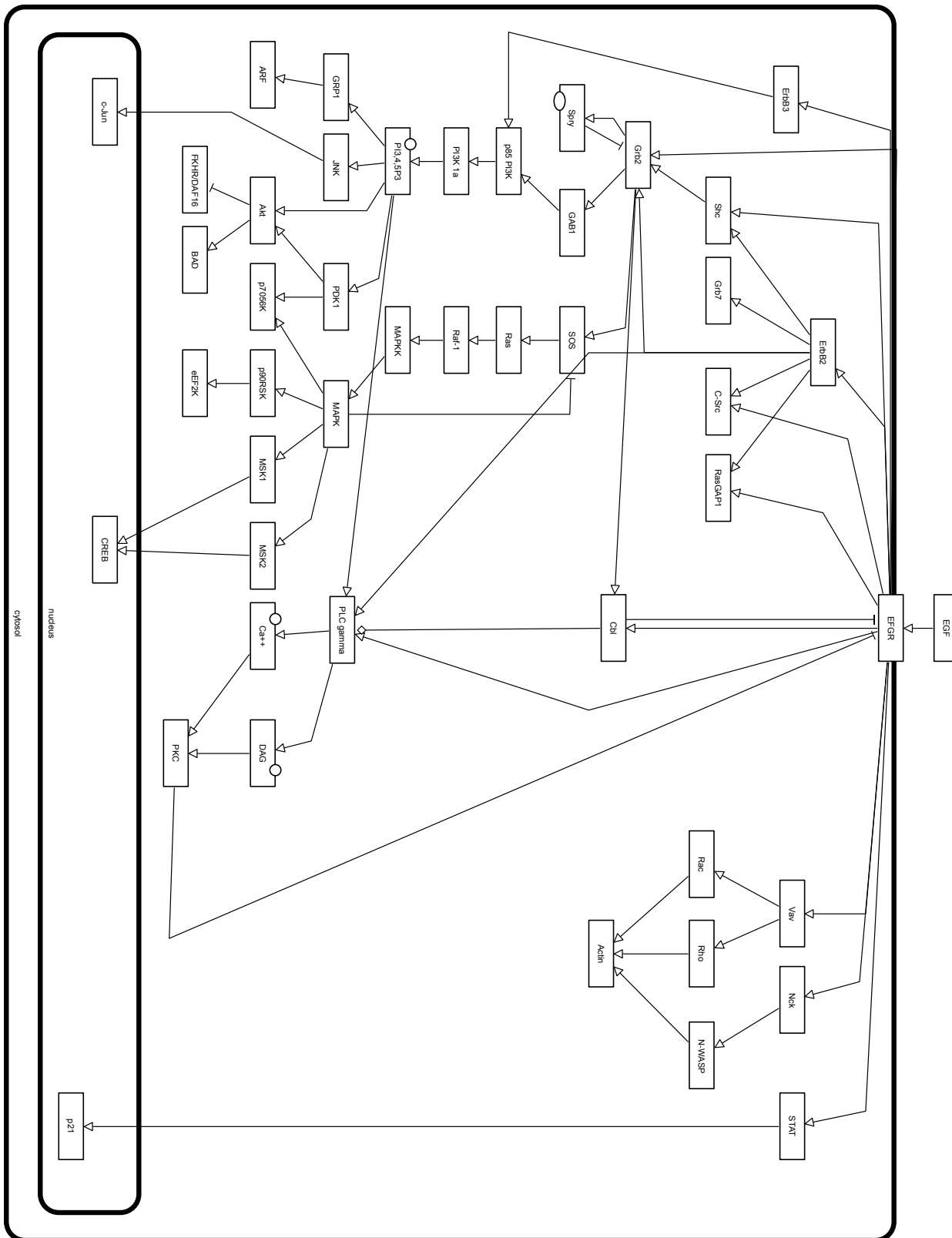
### 6.1 Rendered with the SBGN-ML to sbgntikz converter



## 6.2 Rendered with the SBGN-ML to sbgntikz converter with the tidy option

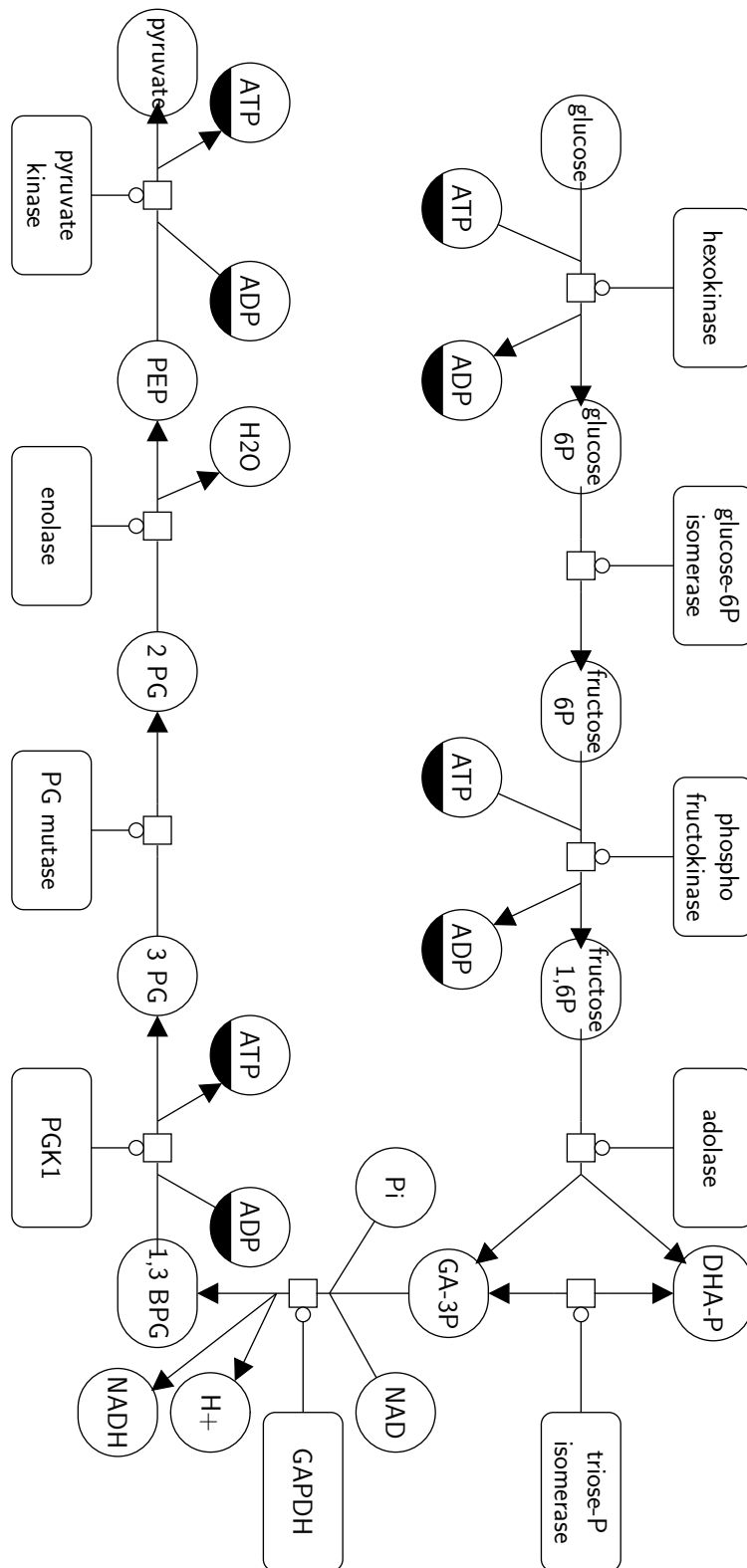


### 6.3 Rendered with SBGN-ED

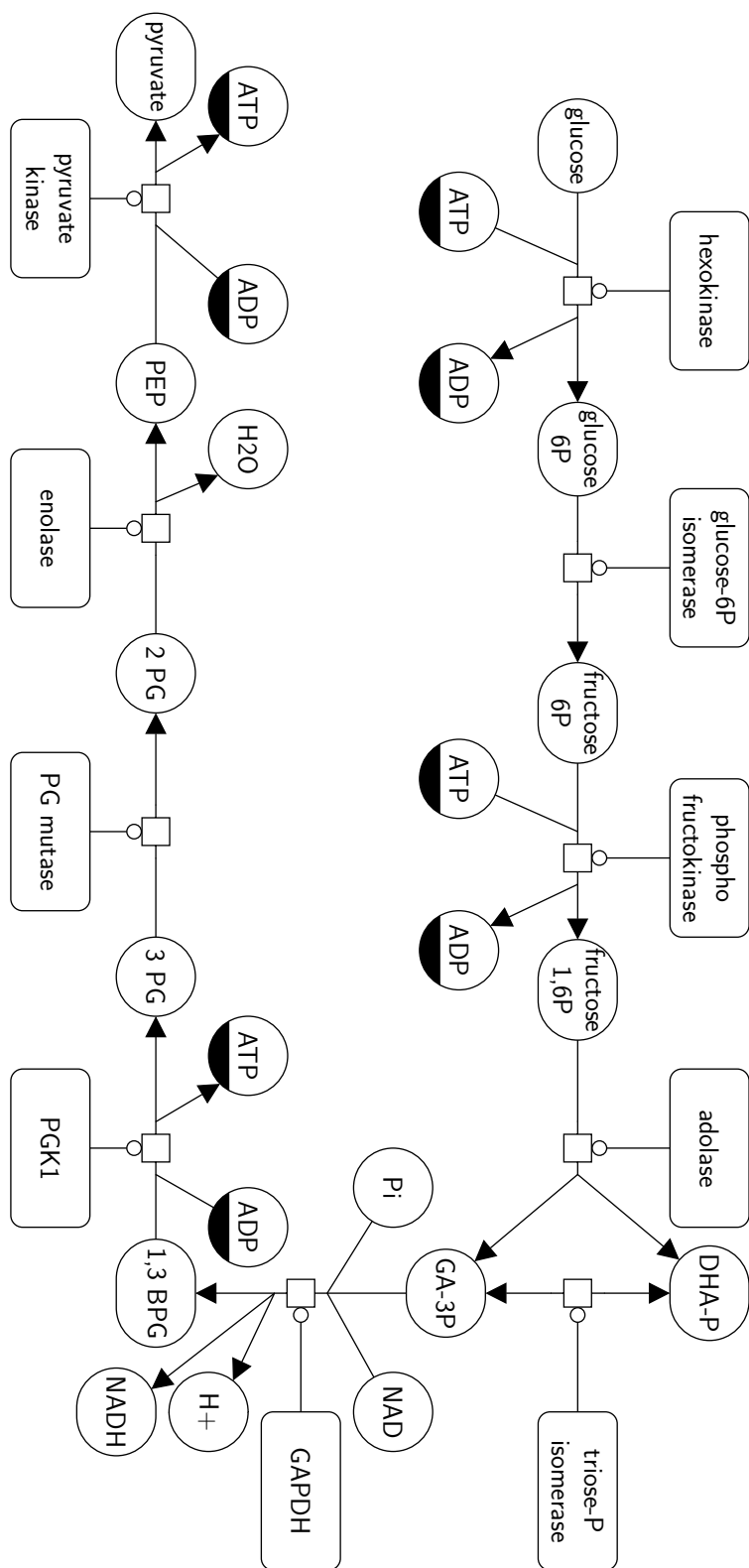


## 7 Glycolysis (PD map)

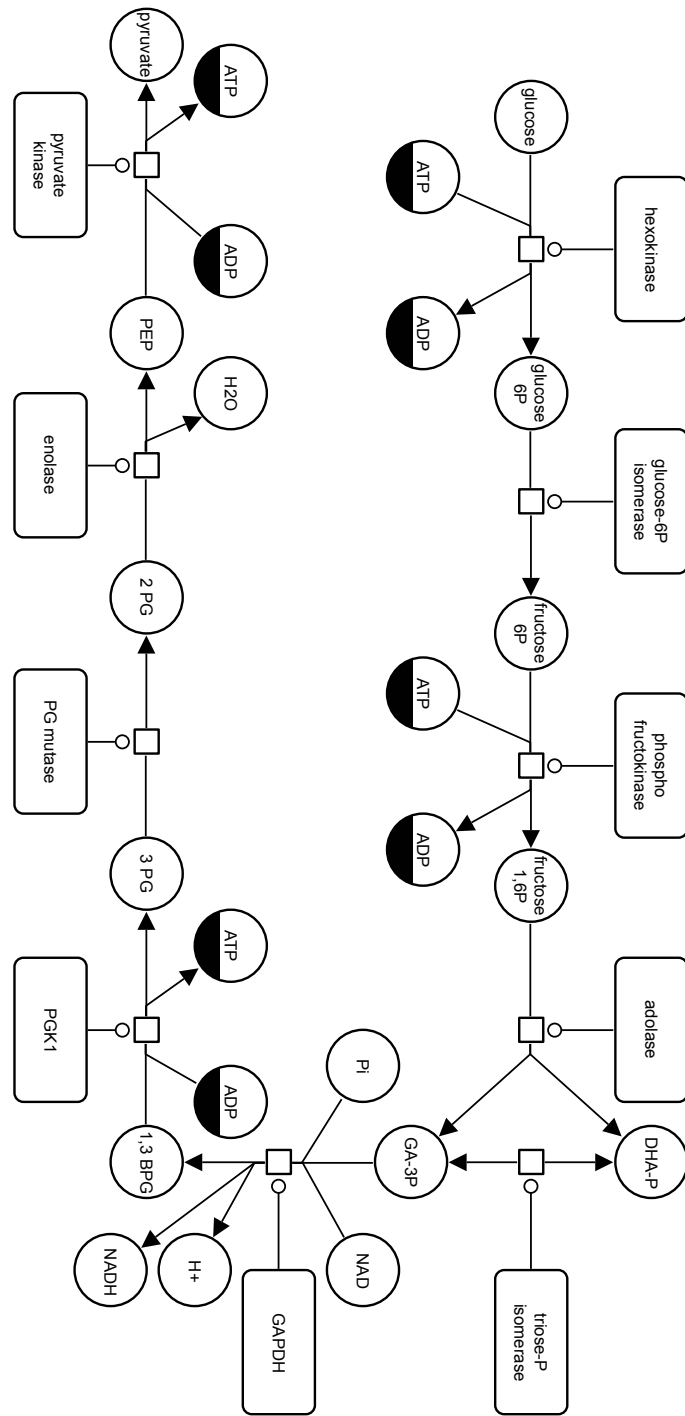
### 7.1 Rendered with the SBGN-ML to sbgntikz converter



## 7.2 Rendered with the SBGN-ML to sbgntikz converter with the tidy option



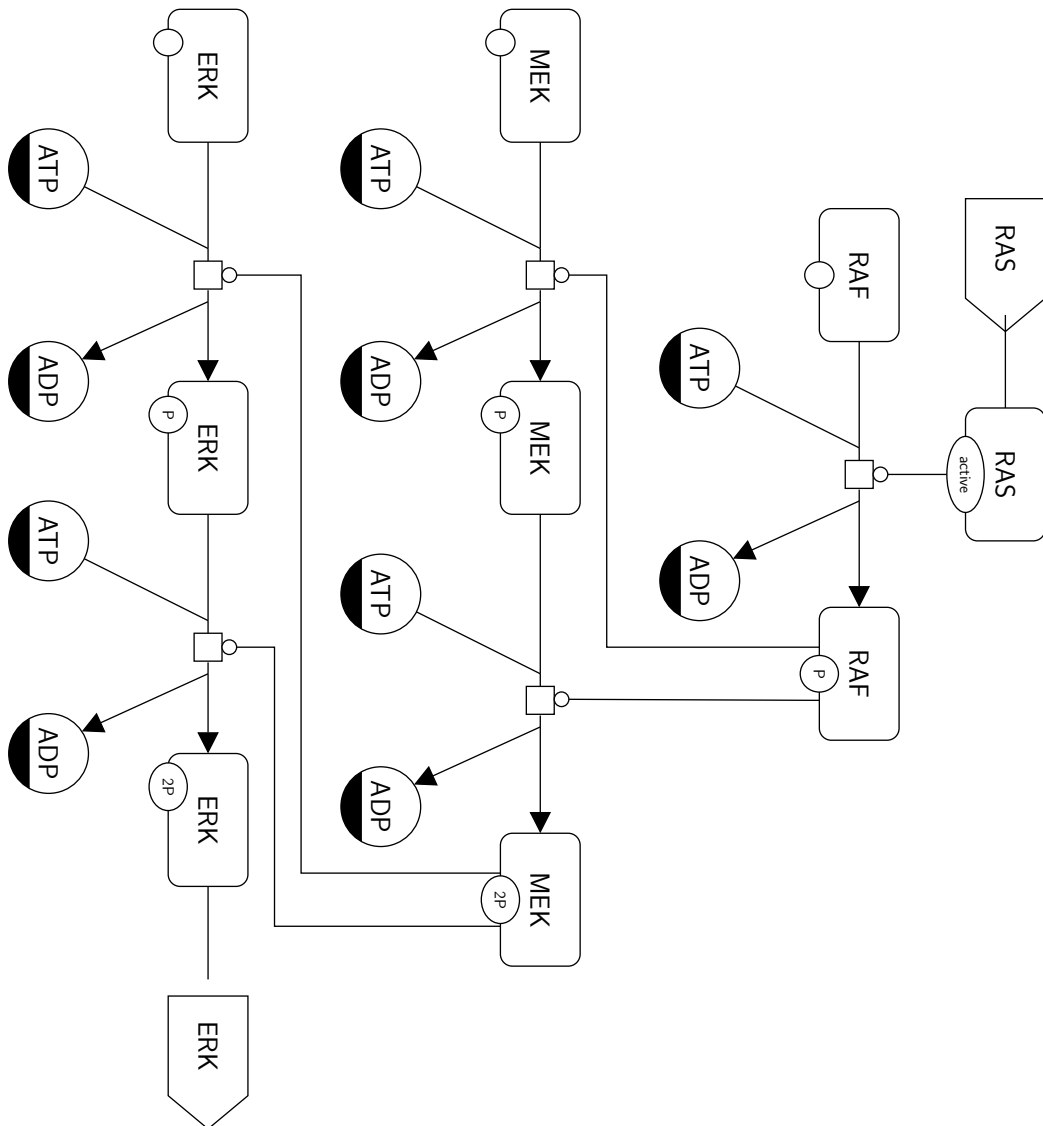
### 7.3 Rendered with SBGN-ED



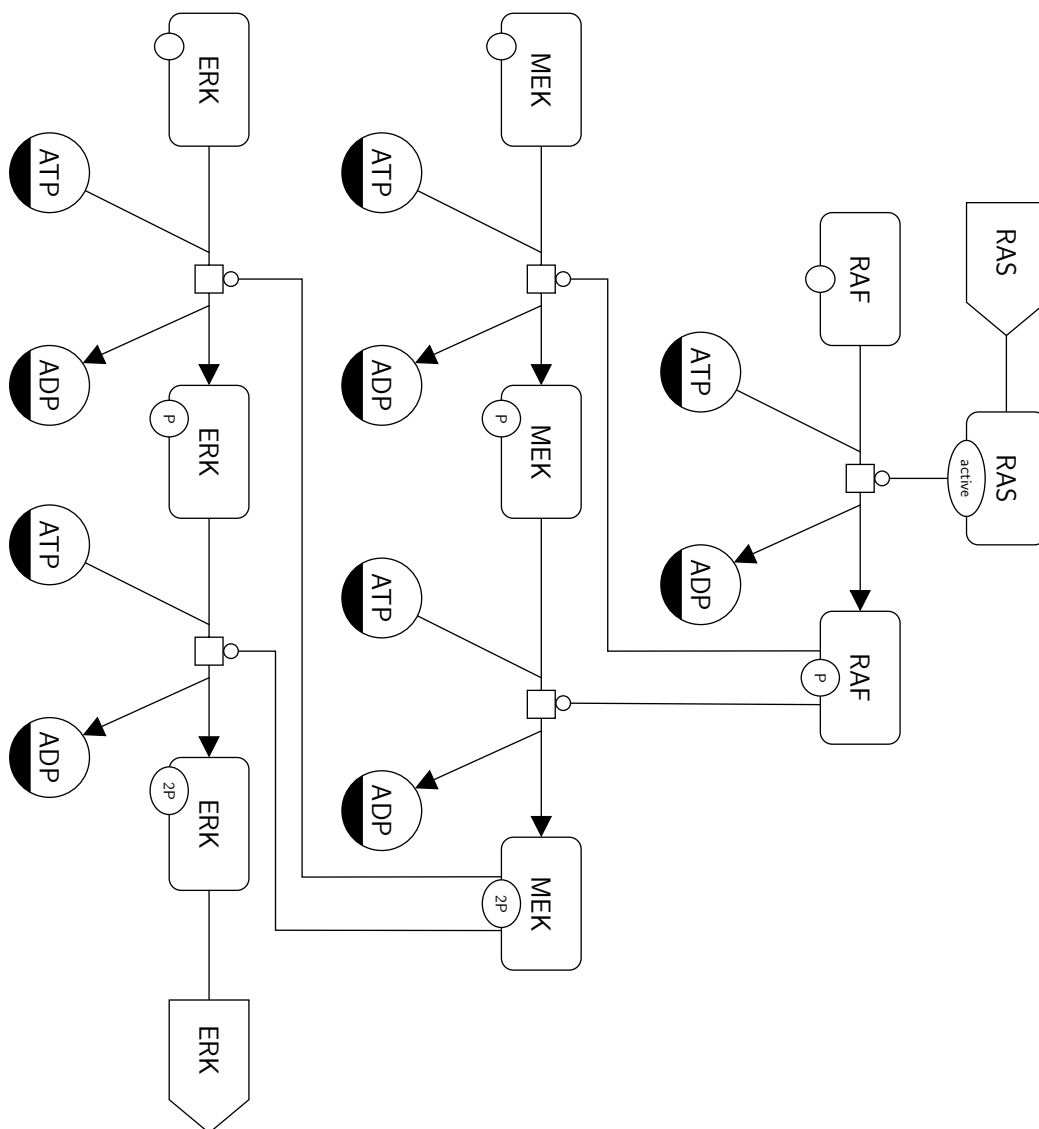


## 8 MAPK cascade (PD map)

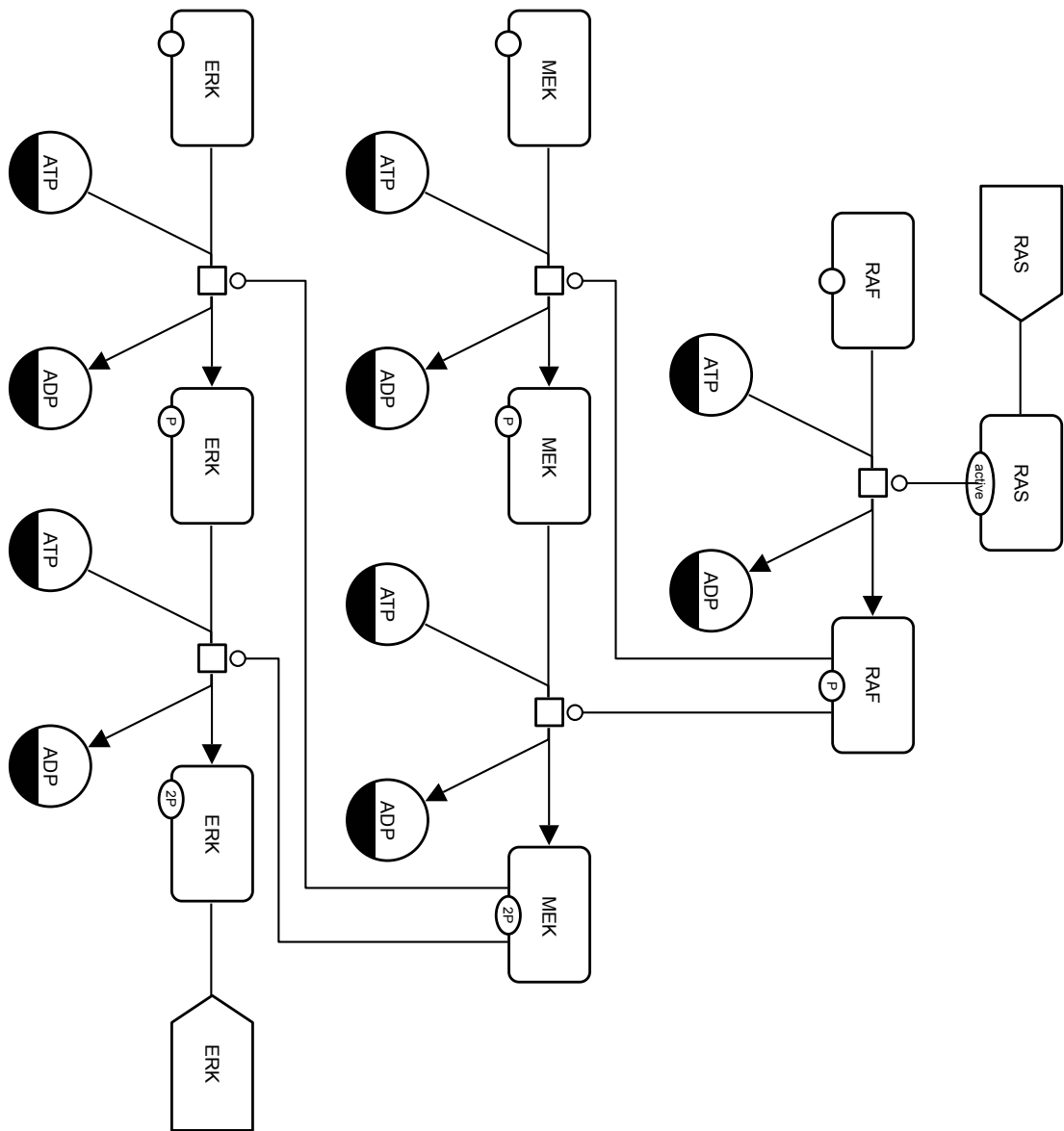
### 8.1 Rendered with the SBGN-ML to sbgtikz converter



## 8.2 Rendered with the SBGN-ML to sbgntikz converter with the tidy option

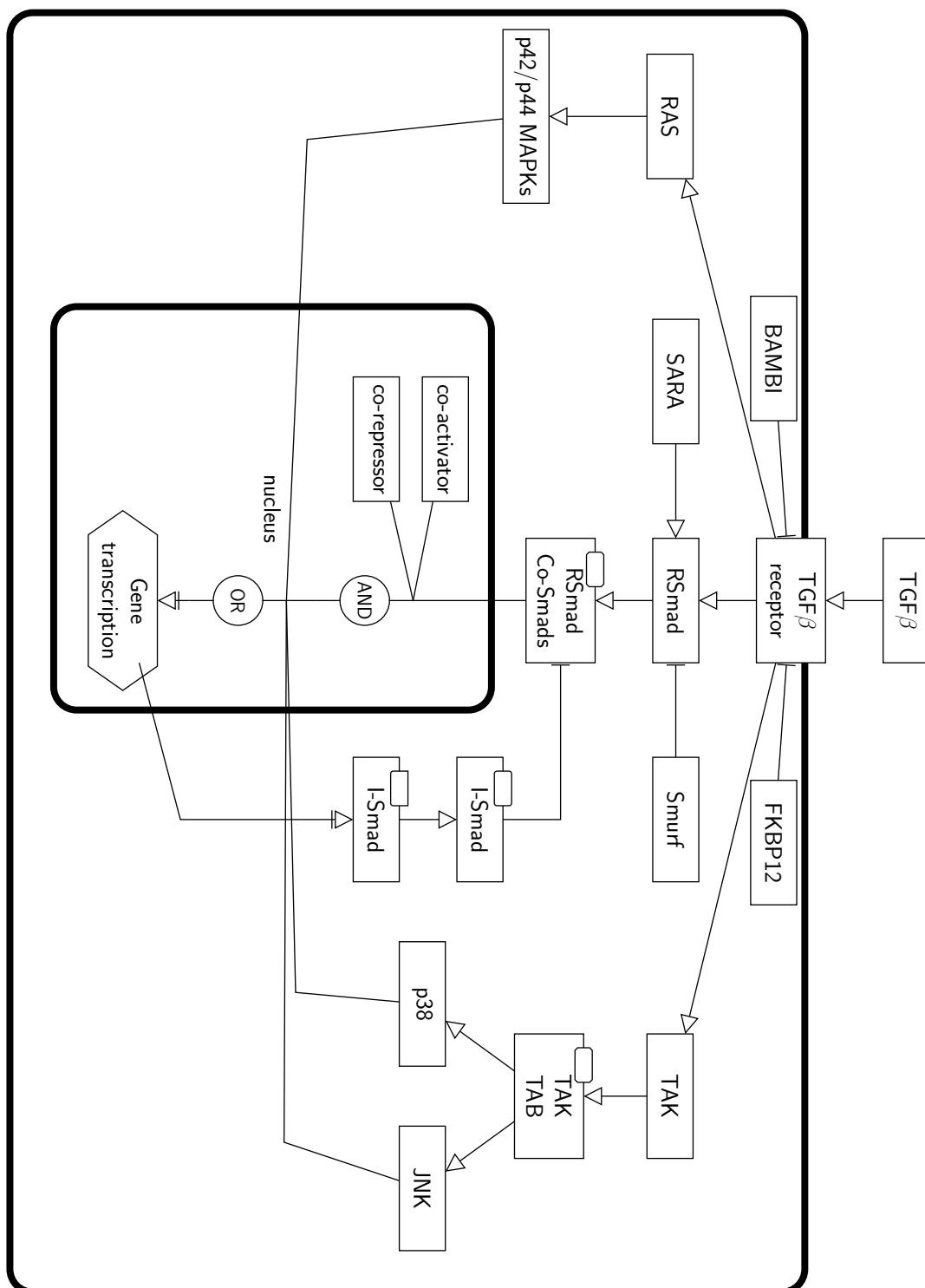


### 8.3 Rendered with SBGN-ED

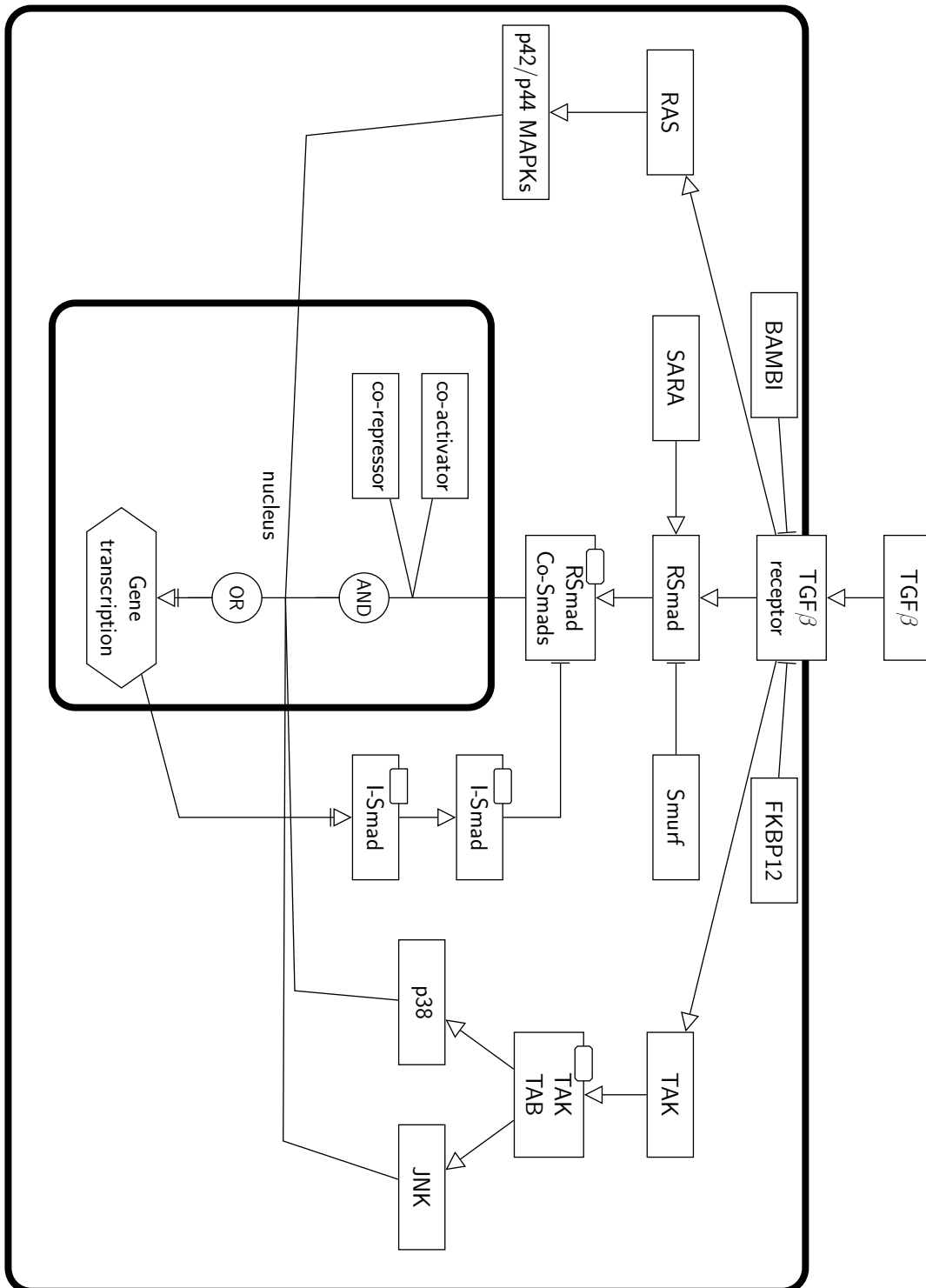


## 9 TGF $\beta$ -induced signaling (AF map)

### 9.1 Rendered with the SBGN-ML to sbgntikz converter



9.2 Rendered with the SBGN-ML to sbgntikz converter with the tidy option



9.3 Rendered with SBGN-ED

